



BRRCG1

Dimensions (mm)	External	Internal
Height	210	
Width	310	
Depth	395	



BRSCG1

Dimensions (mm)	External	Internal
Height	210	
Width	310	
Depth	395	



BRRCG2

Dimensions (mm)	External	Internal
Height	210	
Width	570	
Depth	395	



BRSCG2

Dimensions (mm)	External	Internal
Height	210	
Width	570	
Depth	395	

Features

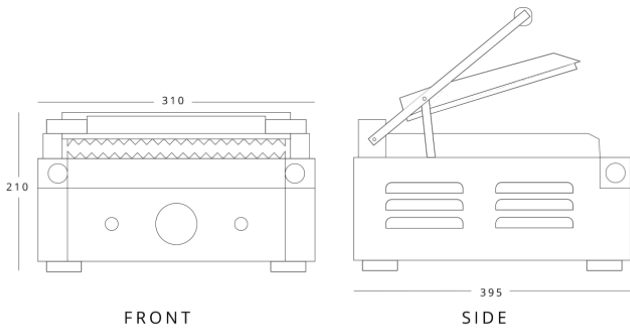
- Stainless steel construction
- Top ribbed, bottom smooth/ top ribbed, bottom ribbed
- Supplied with wire cleaning brush
- Cast iron plates
- Counter balanced top plates
- Removable drip tray



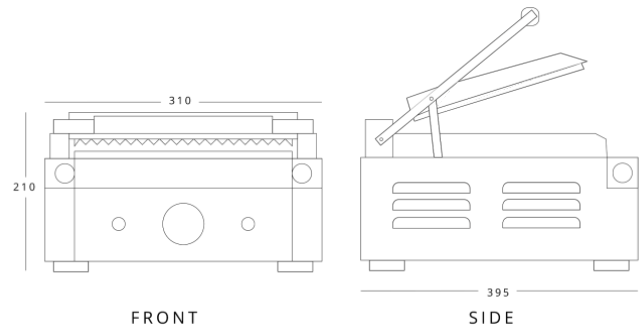
Technical Specification

	BRRCG1	BRSCG1	BRRCG2	BRSCG2
Temperature Range	+50°C~+300°C	+50°C~+300°C	+50°C~+300°C	+50°C~+300°C
Power Supply	13amp	13amp	2x13amp	2x13amp
Power Usage (w)	1800	1800	2x1800	2x1800
Weight (kg)	16	16	30	30

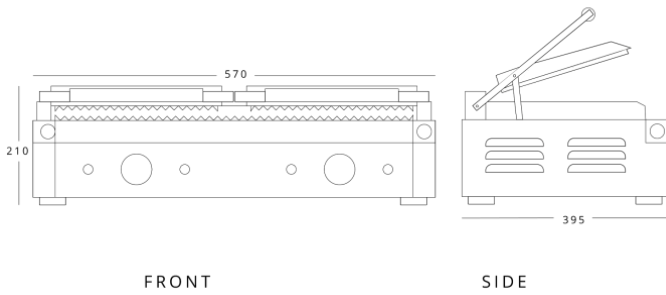
BRRCG1



BRSCG1



BRRCG2



BRSCG2

