



**BIM160**

Dimensions (mm)	External	Internal
Height	1720	
Width	570	
Depth	830	
Capacity (kg)		
Gross		
Net		160



**BIM230**

Dimensions (mm)	External	Internal
Height	1720	
Width	770	
Depth	830	
Capacity (kg)		
Gross		
Net		227

## Features

Stainless Steel & ABS Body

Produces Cubed Ice

Low Water Consumption

Easy To Use Electronic Controls

10-20 Minute Cycles

Fully Automatic Operation

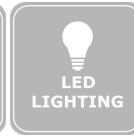
Cleaning Function Cycle

Integrated LED Lighting

Ice Machine & Bin

## Additional Extras

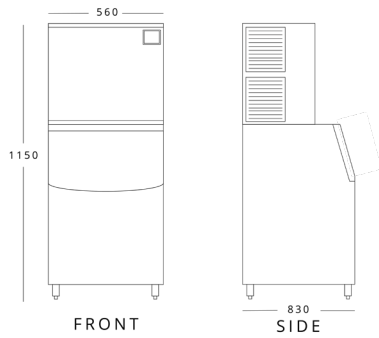
F1-IXFILTERKIT - Water filtration kit



## Technical Specification

	BIM160	BIM230
Climate Class	T	T
Power Supply	13amp	13amp
Noise Level	56db	56db
Refrigerant	R290	R290
Power Usage (w)	760	1050
Weight (kg)	94	120
Production Capacity (kg)	159	227
Storage Capacity (kg)	125	175

### BIM160



### BIM230

