



BFG130BK

Dimensions (mm)	External	Internal
Height	1235	
Width	1340	
Depth	902	
Capacity (ltr)		
Gross		580
Net		490



BFG150BK

Dimensions (mm)	External	Internal
Height	1235	
Width	1590	
Depth	902	
Capacity (ltr)		
Gross		700
Net		595



BFG200BK

Dimensions (mm)	External	Internal
Height	1235	
Width	1965	
Depth	902	
Capacity (ltr)		
Gross		880
Net		750



BFG130WH

Dimensions (mm)	External	Internal
Height	1235	
Width	1340	
Depth	902	
Capacity (ltr)		
Gross		580
Net		490



BFG150WH

Dimensions (mm)	External	Internal
Height	1235	
Width	1590	
Depth	902	
Capacity (ltr)		
Gross		700
Net		595



BFG200WH

Dimensions (mm)	External	Internal
Height	1235	
Width	1965	
Depth	902	
Capacity (ltr)		
Gross		880
Net		750

Features

- Laminated steel exterior
- Painted interior
- Grey ABS injected side panels
- Stainless steel backshelf & display deck
- Anodised aluminium profiles
- Sliding perspex door
- Intermediate glass shelf
- LED illumination under top canopy
- Refrigerated under storage
- Adjustable feet

Additional Extras

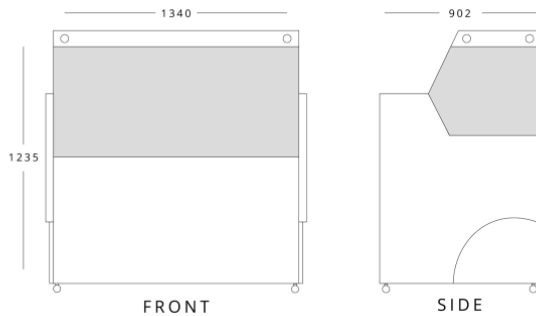
- B9-SHELF130 - Glass shelf for BFG130
- B9-SHELF150 - Glass shelf for BFG150
- B9-SHELF200 - Glass shelf for BFG200
- B9-CASTOR - Castor



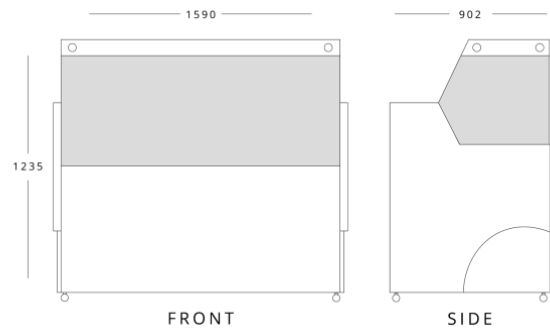
Technical Specification

	BFG130BK	BFG150BK	BFG200BK	BFG130WH	BFG150WH	BFG200WH
Temperature Range	+2°C~+8°C	+2°C~+8°C	+2°C~+8°C	+2°C~+8°C	+2°C~+8°C	+2°C~+8°C
Climate Class	3	3	3	3	3	3
Power Supply	13amp	13amp	13amp	13amp	13amp	13amp
Cooling	Fan Assisted	Fan Assisted	Fan Assisted	Fan Assisted	Fan Assisted	Fan Assisted
Defrost	Automatic	Automatic	Automatic	Automatic	Automatic	Automatic
Noise Level	50db	52db	55db	50db	52db	55db
Refrigerant	R290	R290	R290	R290	R290	R290
Energy Consumption (kw/24hrs)	5.1	5.5	6.5	5.1	5.5	6.5
Power Usage (w)	550	620	650	550	620	650
Weight (kg)	195	230	290	195	230	290

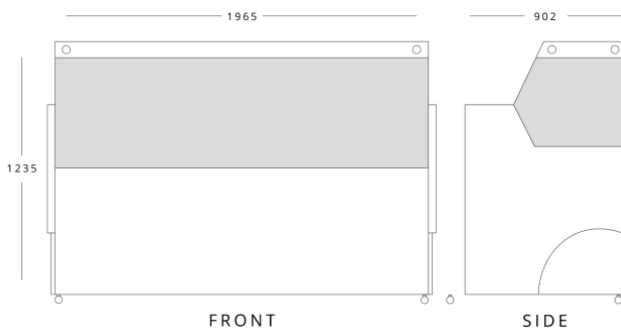
BFG130BK



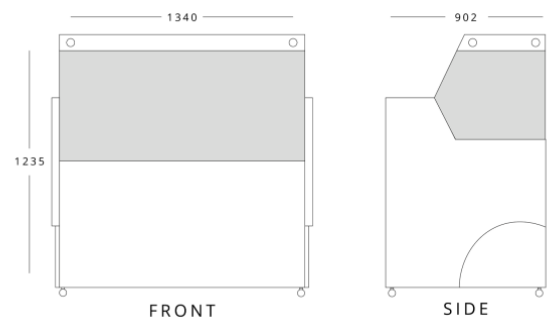
BFG150BK



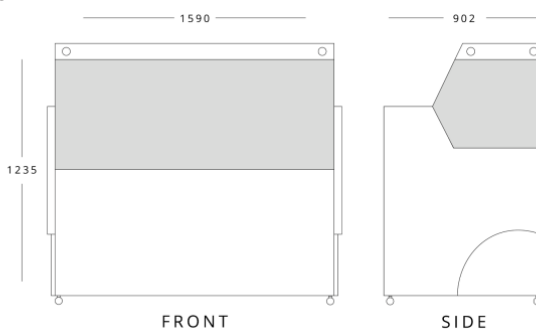
BFG200BK



BFG130WH



BFG150WH



BFG200WH

