



**BDF22**

Dimensions (mm)	External	Internal
Height	850	
Width	740	
Depth	680	
Capacity (ltr)		
Gross		220
Net		180



**BDF32**

Dimensions (mm)	External	Internal
Height	850	
Width	1030	
Depth	680	
Capacity (ltr)		
Gross		320
Net		273



**BDF42**

Dimensions (mm)	External	Internal
Height	850	
Width	1270	
Depth	680	
Capacity (ltr)		
Gross		420
Net		355



**BDF52**

Dimensions (mm)	External	Internal
Height	850	
Width	1530	
Depth	680	
Capacity (ltr)		
Gross		520
Net		445



### **BDF62**

Dimensions (mm)	External	Internal
Height	850	
Width	1810	
Depth	680	
Capacity (ltr)		
Gross		620
Net		545

## Features

White laminated exterior  
 White painted aluminium interior  
 Aluminium door frame  
 Lockable curved sliding glass lid  
 Internal LED illuminatin  
 Defrost water drain hole  
 Four castor wheels

## Additional Extras

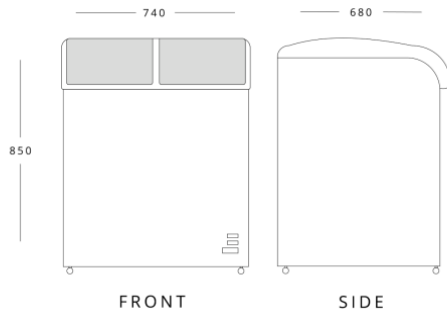
B9-BASKET01 - Basket  
 B9-CASTOR01 - Castor  
 B9-CASTOR02 - Braked castor



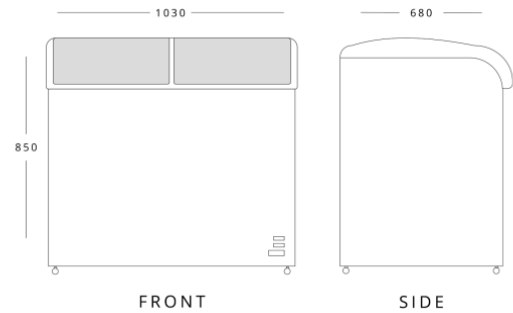
## Technical Specification

	BDF22	BDF32	BDF42	BDF52	BDF62
Temperature Range	-18°C ~ -22°C	-18°C ~ -22°C	-18°C ~ -22°C	-18°C ~ -22°C	-18°C ~ -22°C
Climate Class	4	4	4	4	4
Power Supply	13amp	13amp	13amp	13amp	13amp
Cooling	Static	Static	Static	Static	Static
Defrost	Defrost	Defrost	Defrost	Defrost	Defrost
Noise Level	48db	48db	48db	48db	48db
Refrigerant	R290	R290	R290	R290	R290
Energy Efficiency Class	C	C	C	C	D
Energy Consumption (kw/24hrs)	2.08	2.55	2.63	3.23	4.08
Power Usage (w)	186	198	210	248	252
Weight (kg)	58	60.5	69	72.5	81

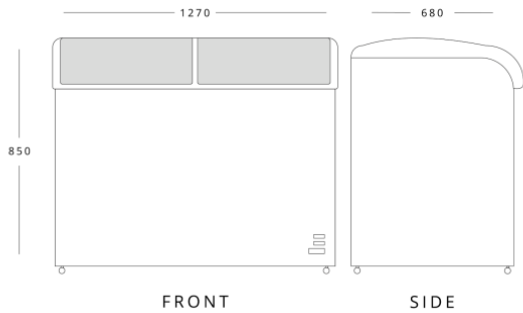
### BDF22



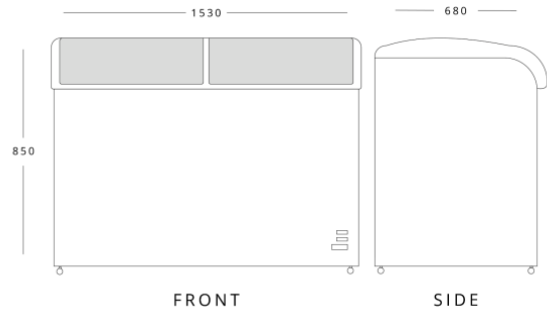
### BDF32



### BDF42



### BDF52



### BDF62

