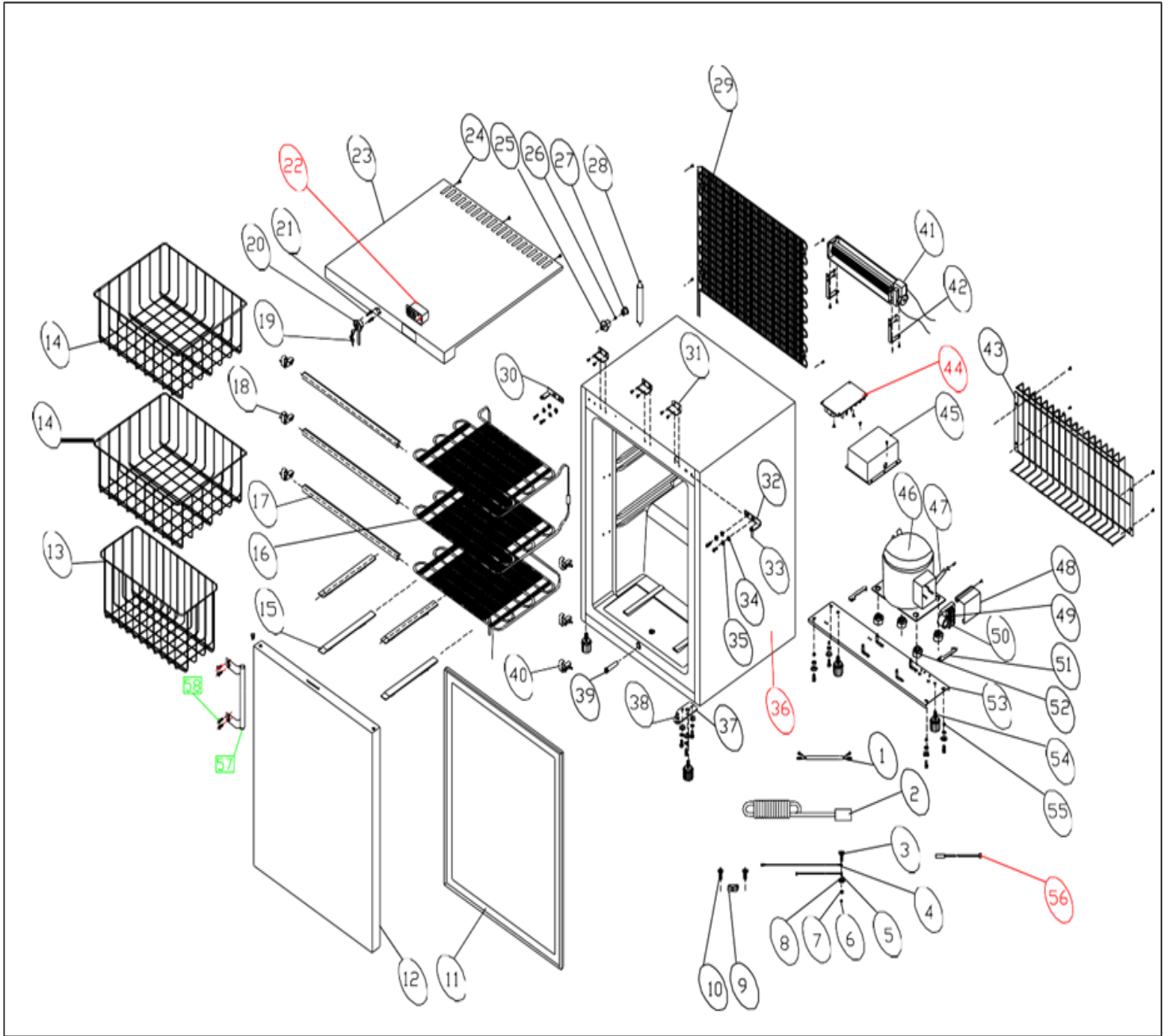


UCF140&140WH

Exploded parts diagram







Part Number	No.	Description	Qty
***	1	Short wire sheath	1
***	2	Power Wire and Plug	1
***	3	Screw	1
***	4	Long earth wire	1
***	5	Short earth wire	1
***	6	Hexagon nut	1
***	7	Spring washer	1
***	8	Flat washer	1
***	9	Wire clip	1
***	10	Screw	10
M4-UCR038	11	Gasket for Solid Door	4
M4-UCR140WH	12	Solid Door	1
M4-UCF140	12	Stainless Steel Door	1
M4-UCF023	13	Basket (Bottom Drawer)	1
M4-UCF024	14	Top drawer	2
***	15	Drawer track	4
M4-UCR020	16	Evaporator	1
M4-UCF021	17	Adornment	3
M4-UCF022	18	Left clip	3
M4-UCR032	19	Key	2
M4-UCR031	20	Lock	1
***	21	Screw	2
M4-CONTROLLER03	22	CAREL Controller	1
M4-UCR140WHLID	23	Lid Top (White)	1
M4-UCR009	23	Lid Top (S/S)	1
***	24	Philips screw	43
***	25	Balance tube	1
***	26	Balance ball	1
***	27	Balance lid	1
W4-FILTER01	28	Drier	1
M4-UCR030	29	Condenser	1
M4-UCR022	30	Hinge Bracket Top Left	1
***	31	Lid Clip	3
M4-UCR024	32	Hinge Bracket Top Right	1
M4-HINGE01	33	Hinge Pin Top	1
***	34	Flat washer	9
***	35	Spring washer	9
***	36	Cabinet	1
***	37	Bottom hinge	1
***	38	Bottom shaft	1
***	39	Drain Tube	1
M4-UCF018	40	Right clip	3
M4-UCR028	41	Cross flow fans	1
***	42	Holder	2

M4-COVER140	43	Back Cover	1
N/A	44	HM-30A Transformer for CAREL Controller	1
W4-FIXBOX	45	Plastic box for Transformer	1
W4-COMP02	46	TG1111Y Compressor	1
***	47	Process tube	1
W4-COVER02R	48	Electric cover	1
W4-STARTER02	49	Starter	1
W4-OVERLOAD02	50	Overheat and overload protector	1
W4-CAP02		Capacitor for Compressor	1
W4-BRACKET01	51	Compressor Fixing	2
***	52	Rubber grommet	4
***	53	Mounting Plate	1
M4-UCR02	54	Adjustable Foot	4
***	55	Hexagon nut	4
BZW4-SENSOR03	56	Temperature sensor for CAREL Controller	1
M4-HANDLE14-WH	57	304SS Handle	1
***	58	SS Screw M5*12	4

***** Please contact Spares for assistance*****