

# Storm 40 (& DP)

## Exploded parts diagram



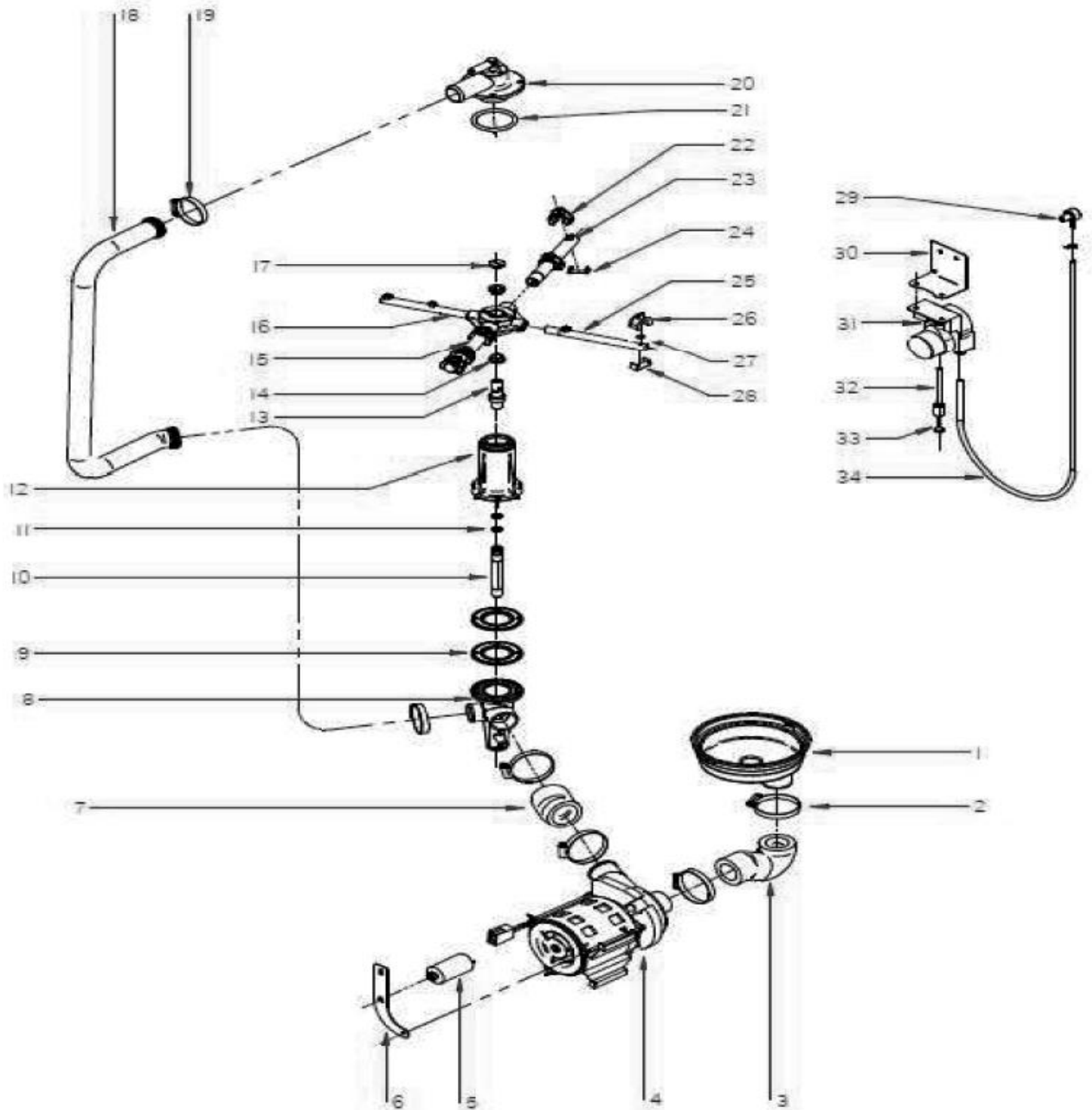




Part Number	Number	Description	Qty
***	1	Lid Holder	2
***	2	Lid Panel	2
***	3	Back Panel	1
***	4	M5 Nut	8
***	5	Rubber Conduit Protector	1
***	6	Cable Securing Gland	1
***	7	Complete Base	1
***	8	Adjustable Feet	4
***	9	Front Bottom Panel	1
***	10	Right Door Support	1
***	11	Complete Door	1
***	12	Left Door Support	1
***	13	Door Gasket Profile	1
***	14	Door Gasket	1
***	15	Left Basket Guide	1
***	*	Right Basket Guide	1
***	16	Door Plastic Blocker	1
***	17	Door Closing Spring Plate	1
B8-12025069	18	Basket	1
***	19	Cutlery Basket	1
***	20	Dish Holder	-

\*\*\*Please contact Spares for assistance\*\*\*

\*\*\*Please contact Spares for DP variants\*\*\*

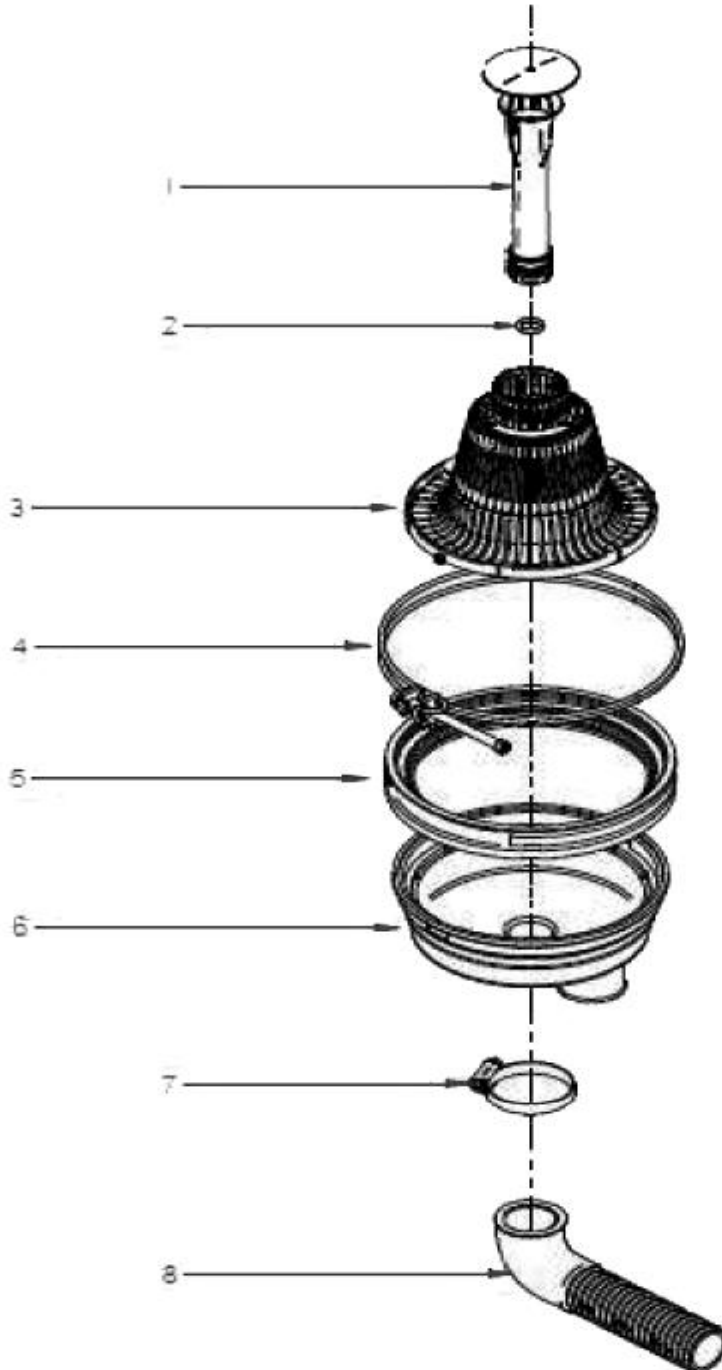




Part Number	Number	Description	Qty
***	1	Drainage Bowl	1
***	2	Drainage Bowl Clamp	1
***	3	40-60 Clamp	4
B8-12023429	4	Wash Pump	1
***	5	10uf Capacitor	1
***	6	Mount	1
***	7	Wash pump Outlet Pipe	1
***	8	Lower Outer Feedthrough	1
***	9	Bottom Feedthrough Gasket	2
***	10	Rinsing Connector	1
***	11	O Ring	2
***	12	Bottom Feedthrough	1
***	13	Arm Rotation Central Shaft	2
B8-12024086	14	Arm Holder Sleeve	4
***	15	Plastic Washing Branch	-
***	16	Plastic Rinsing Branch	2
B8-12009829	17	Rinse Arm Securing Bolt	2
***	18	Pipe	1
***	19	Worm Clamp	2
***	20	Upper Feedthrough	1
B8-12023732	22	Wash Jet	1
	23	Plastic Wash Branch	2
B8-12023710	24	Washing Jet Holder	10
***	25	Plastic Rinsing Branch	2
B8-12024077	26	Plastic Rinse Jet	8
B8-12009912	27	Rinse Seal	8
B8-12024006	28	Rinse Jet Clip	8
B8-12177305	-	Spray Arm Complete	1
***	29	Detergent Feedthrough	-
***	30	Dispenser Holder	-
B8-12133011	31	Detergent Dispenser Adjustable	-
***	32	Detergent Aspiration Pipe	-
B8-12164632	33	Filter Weight	-
***	34	Det. Dispenser Pipe	-

\*\*\*Please contact Spares for assistance\*\*\*

\*\*\*Please contact Spares for DP variants\*\*\*

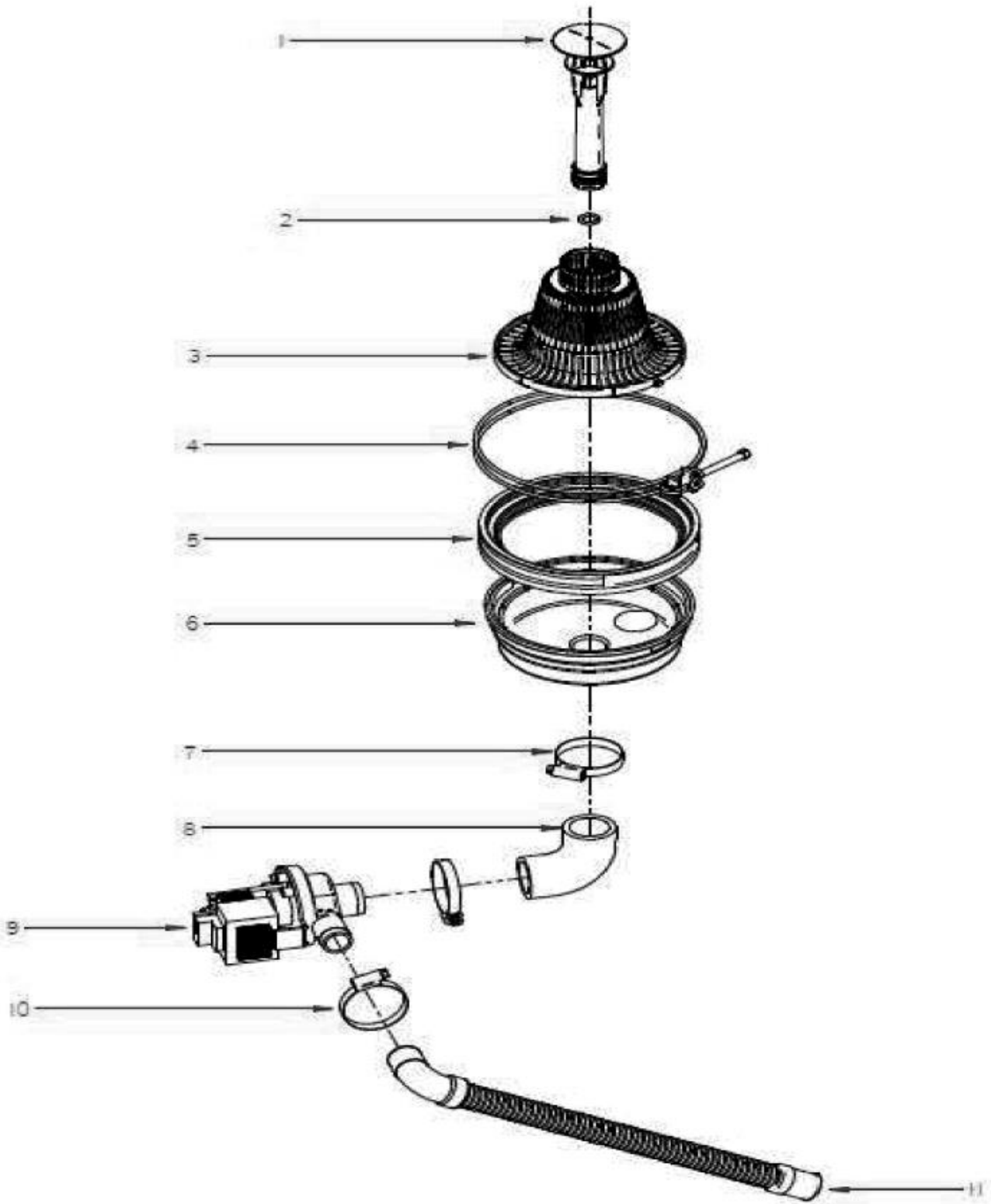




Part Number	Number	Description	Qty
B8-12092017	1	Drain Plug	1
B8-12010282	2	Drain Plug Seal	1
B8-12092003	3	Wash Filter	1
***	4	Drain Clamp	1
***	5	Drain Gasket	1
***	6	Drain Bowl	1
***	7	Rod Clamp	1
***	8	Drain Pipe	1

\*\*\*Please contact Spares for assistance\*\*\*

\*\*\*Please contact Spares for DP variants\*\*\*



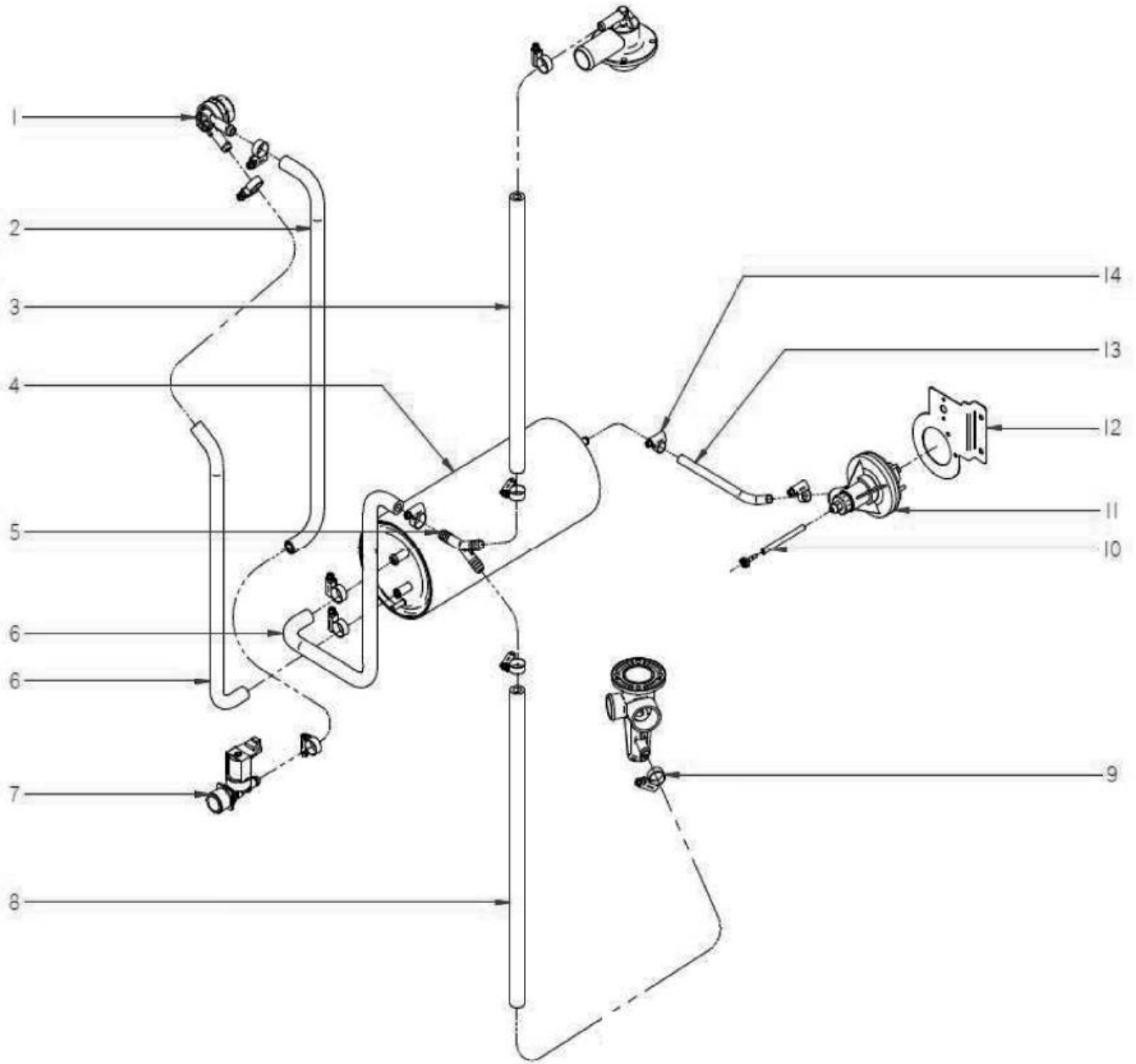




Part Number	Number	Description	Qty
***	1	Overflow	1
B8-12010282	2	Drain Plug Seal	1
B8-12092003	3	Wash Filter	1
***	4	Drain Clamp	1
***	5	Drain Gasket	1
***	6	Drain Bowl	1
***	7	Rod Clamp	1
***	8	Pump Inlet Pipe	1
B8-12094265	9	Drain Pump	1
***	10	Clamp	1
***	11	Drain Hose	1

\*\*\*Please contact Spares for assistance\*\*\*

\*\*\*Please contact Spares for DP variants\*\*\*

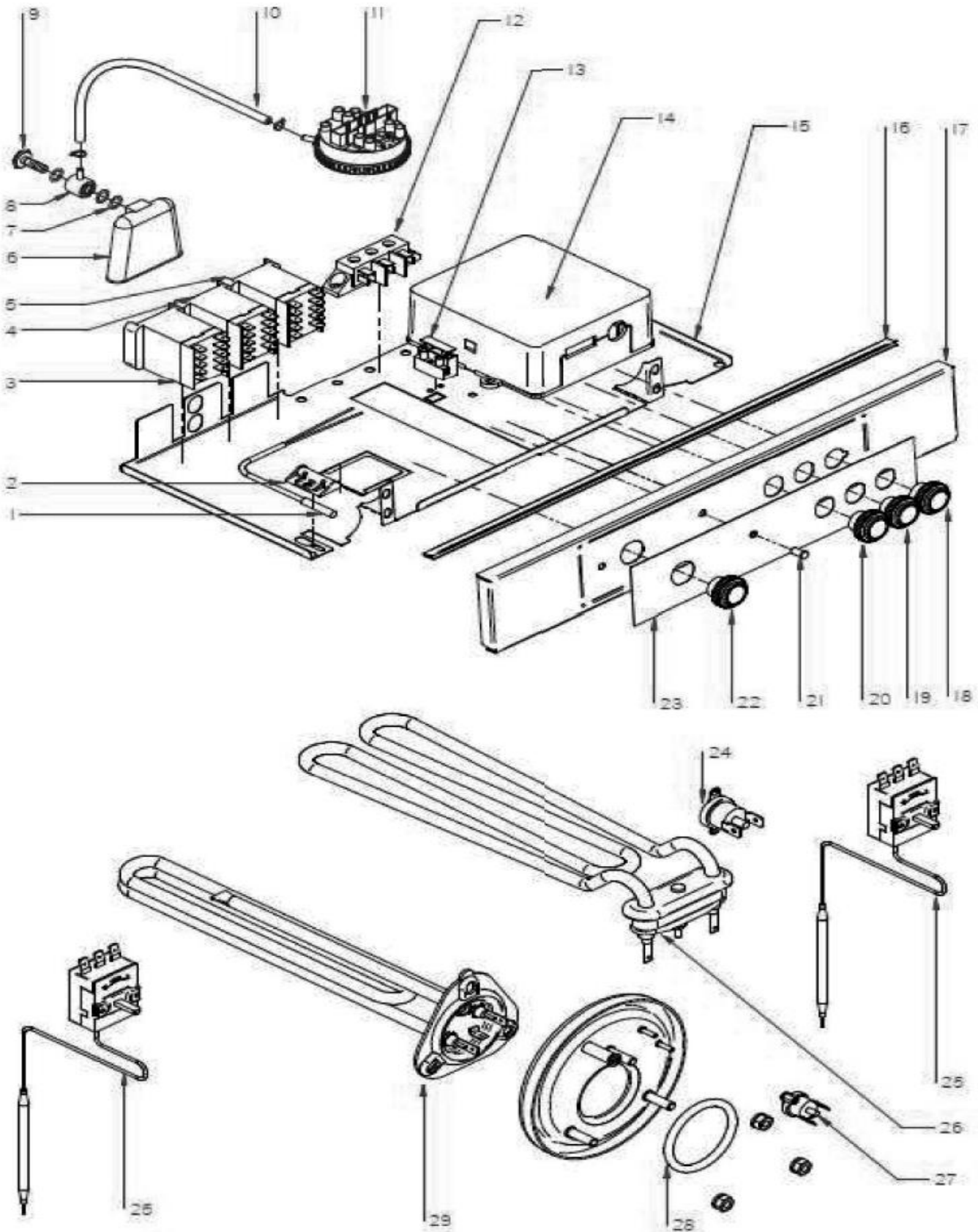




Part Number	Number	Description	Qty
***	1	Non-Return Valve	
***	2	Hose	1
***	3	Upper Rinse Arm Hose	1
***	4	Boiler	1
***	5	Y Fitting	1
***	6	Boiler Fitting Pipe	2
B8-12023794	7	Water Inlet Valve	1
***	8	Lower Rinse Arm Hose	1
***	9	Clamp	10
***	10	Detergent Aspiration Pipe	1
B8-12133010	11	Rinse Aid Dispenser	1
***	12	Dispenser Holder	1
***	13	Dispenser Boiler Hose	1
***	14	Clamp	2

\*\*\*Please contact Spares for assistance\*\*\*

\*\*\*Please contact Spares for DP variants\*\*\*





Part Number	Number	Description	Qty
B8-12024477	1	Magnetic Door Switch	1
***	2	Magnetic Switch Fastener	1
B8-12023706	3	Relay	1
B8-12024011	4	Contactora	1
B8-12024011	5	Contactora	1
B8-12024350	6	Pressure Chamber	1
B8-12024157		Pressure Chamber Connex	1
B8-12009873	7	O Ring for Pressure Chamber	2
B8-12024222	8	Pressure Switch Bolt	1
***	9	Rubber Pipe	1
***	10	Pipe Flange	1
***	11	Presostat	2
***	12	3-way Connector	1
***	13	Fuse 10A	1
B8-12008750	14	PCB	1
***	15	Base	1
***	16	Lid Sealing Profile	1
***	17	Control Panel	1
B8-12216540	18	Short Cycle Push Button (Pre Nov.19)	1
B8-12171805	18	Short Cycle Push Button (After Nov.19)	1
B8-12216519	19	Medium Cycle Push Button (Pre Nov.19)	1
B8-12171806	19	Medium Cycle Push Button (After Nov.19)	1
B8-12216518	20	Long Cycle Push Button (Pre Nov.19)	1
B8-12183262	20	Long Cycle Push Button (After Nov.19)	1
B8-12220785	21	5V Green Led Light	1
B8-12216541	22	Power On/Off Button (Pre Nov.19)	1
B8-12171804	22	Power On/Off Button (After Nov.19)	1
***	23	Fascia Sticker	1
B8-12096597	24	Overheat Stat	1
B8-12134992	25	Thermostat Wash/Rinse 27-85 °C	2
B8-12090524	26	Wash Tank Heater Element	1
B8-12102062	27	Rinse Tank Heater Seal	1
B8-12090518	28	Overheat Thermostat	1
B8-12093151	29	Rinse Tank Heater	1

\*\*\* Please contact Spares for assistance\*\*\*

\*\*\*Please contact Spares for DP variants\*\*\*