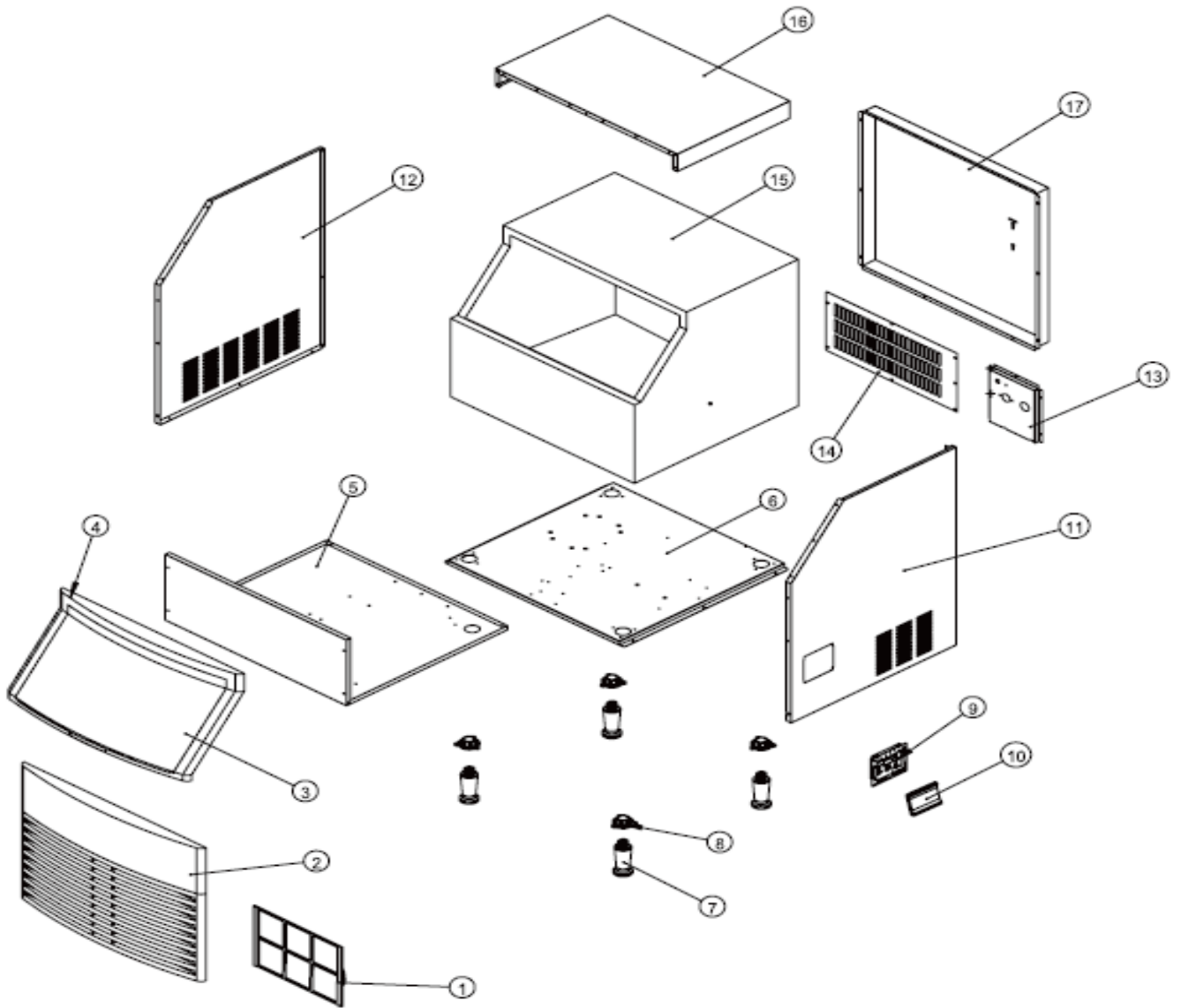


BIM90

Exploded parts diagram

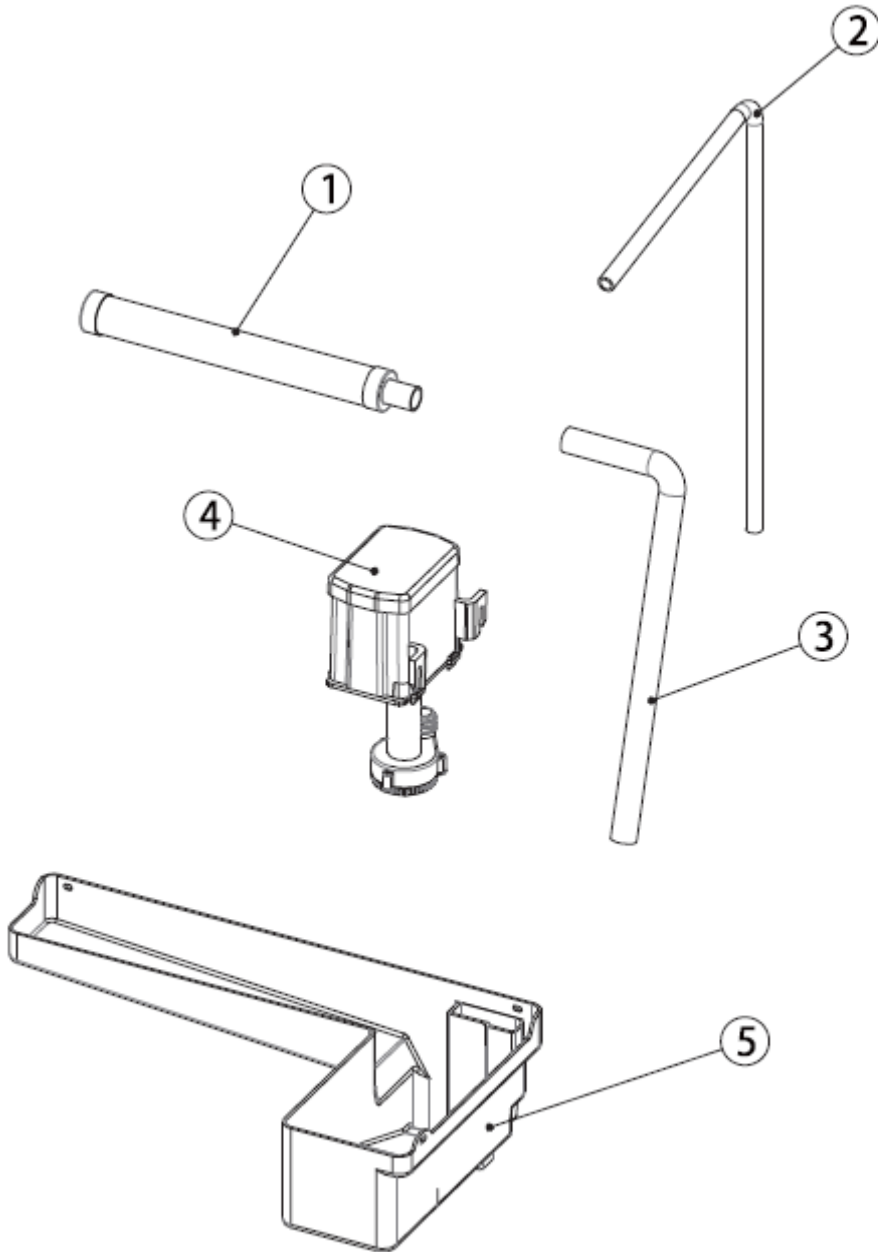






Part Number	No.	Description	Qty
L3-FILTER02	1	Condenser Filter	1
L3-GRILLE02	2	Front Vent Grille	1
L3-DOOR02	3	Door	1
L3-FRAME02	4	Door Frame	1
***	5	Inner Partition	1
***	6	Base Plate	1
L3-FOOT02	7	Foot	4
***	8	Foot Mount	4
L3-PANELASSY	9	Control Panel Frame	1
***	10	Control Panel Cover (see No.9)	1
***	11	Side Panel (R)	1
***	12	Side Panel (L)	1
***	13	Water Inlet and Drain Bracket Panel	1
***	14	Rear Grille	1
***	15	Liner	1
***	16	Top Cover	1
***	17	Rear Panel	1
L3-LED02	N/A	LED Light	1

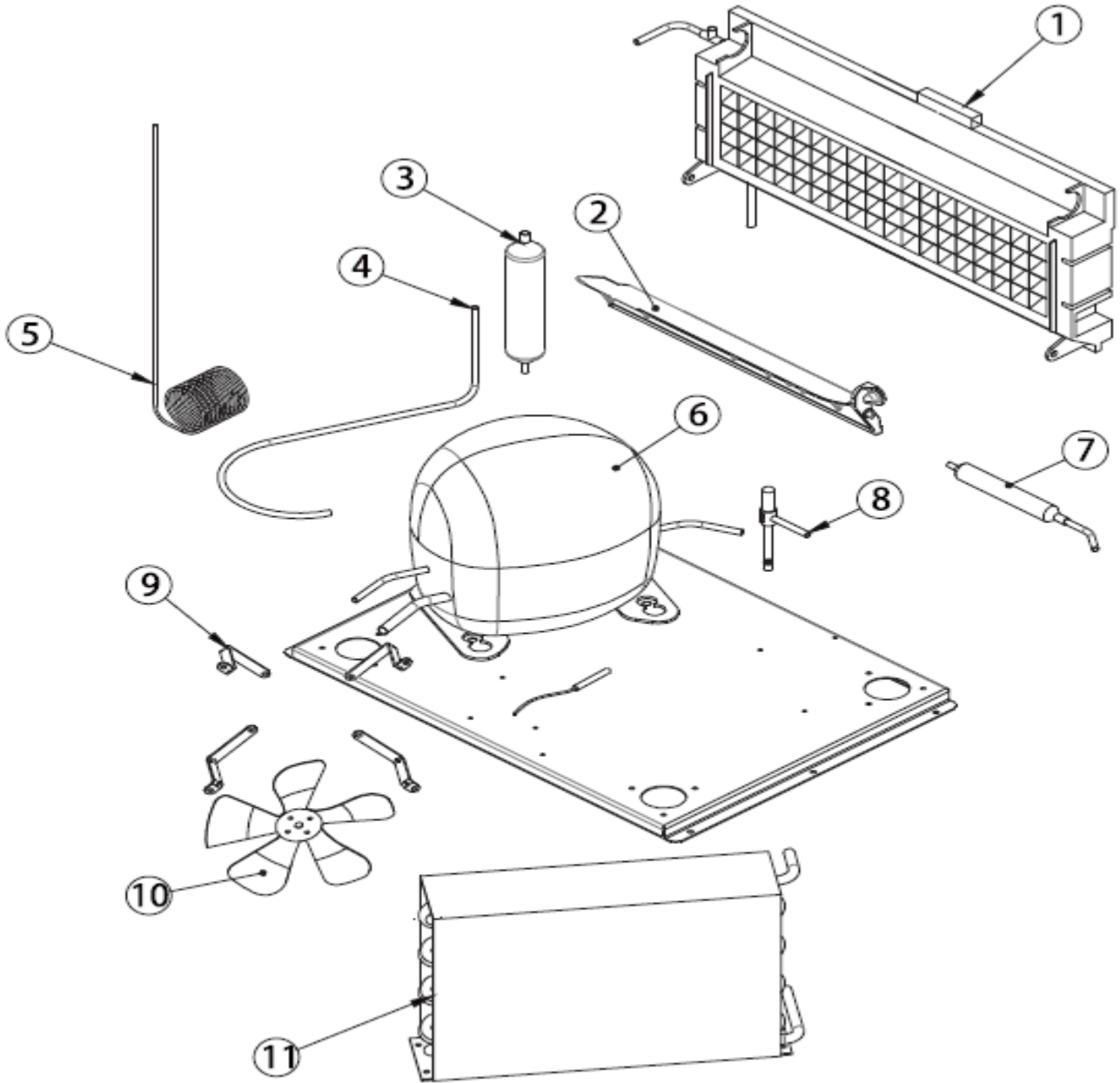
*** Please contact Spares for assistance***





Part Number	No.	Description	Qty
L3-SPRAYBAR02	1	Spray Bar	1
***	2	Feeder Tube	1
***	3	Spray Bar Hose	1
L3-PUMP02	4	Water Pump	1
L3-TANK02	5	Water Reservoir	1

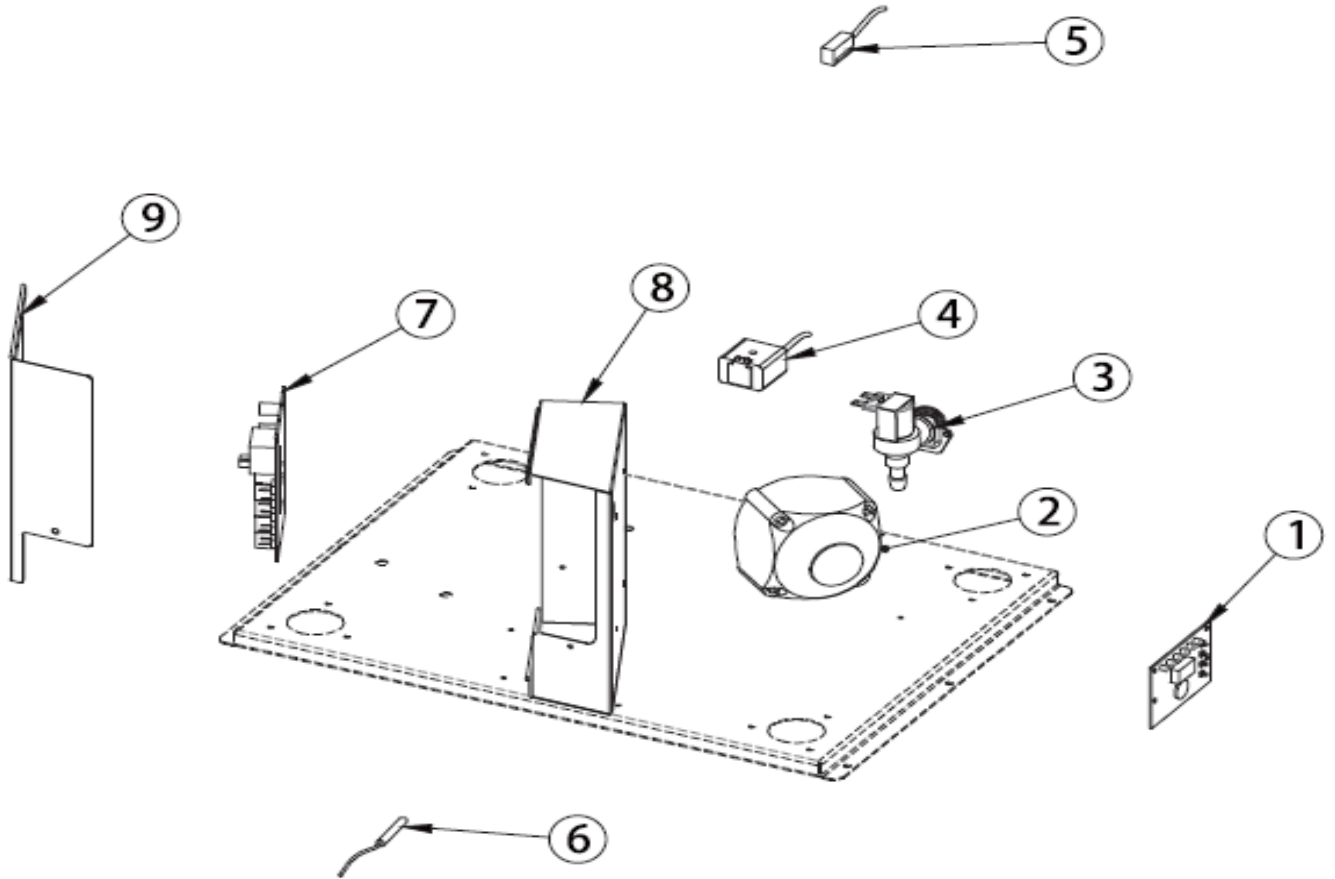
*** Please contact Spares for assistance***





Part Number	No.	Description	Qty
***	1	Evaporator	1
L3-DEFLECTOR02	2	Deflector Flap	1
***	3	Accumulator	1
***	4	Suction Pipe	1
L3-CAP02	5	Capillary	1
L3-COMP02	6	Compressor	1
R4-DRIER20	7	Drier	1
L3-HGV02	8	Hot Gas Valve (body)	1
***	9	Fan Bracket	4
***	10	Fan Blade	1
L3-COND02	11	Condenser	1

*** Please contact Spares for assistance***





Part Number	No.	Description	Qty
***	1	Display Panel (see No.7)	1
L3-CONDFAN02	2	Condenser Fan motor (C/W Blade)	1
L3-IV02	3	Water Inlet Valve	1
L3-COIL02	4	Hot Gas Coil	1
L3-MS01	5	Ice Level Micro Switch	1
L3-SENSOR	6	Condenser Sensor	1
L3-PCB	7	PCB (C/W Display)	1
***	8	Electrical Box	1
***	9	Electrical Box Cover	1

*** Please contact Spares for assistance***