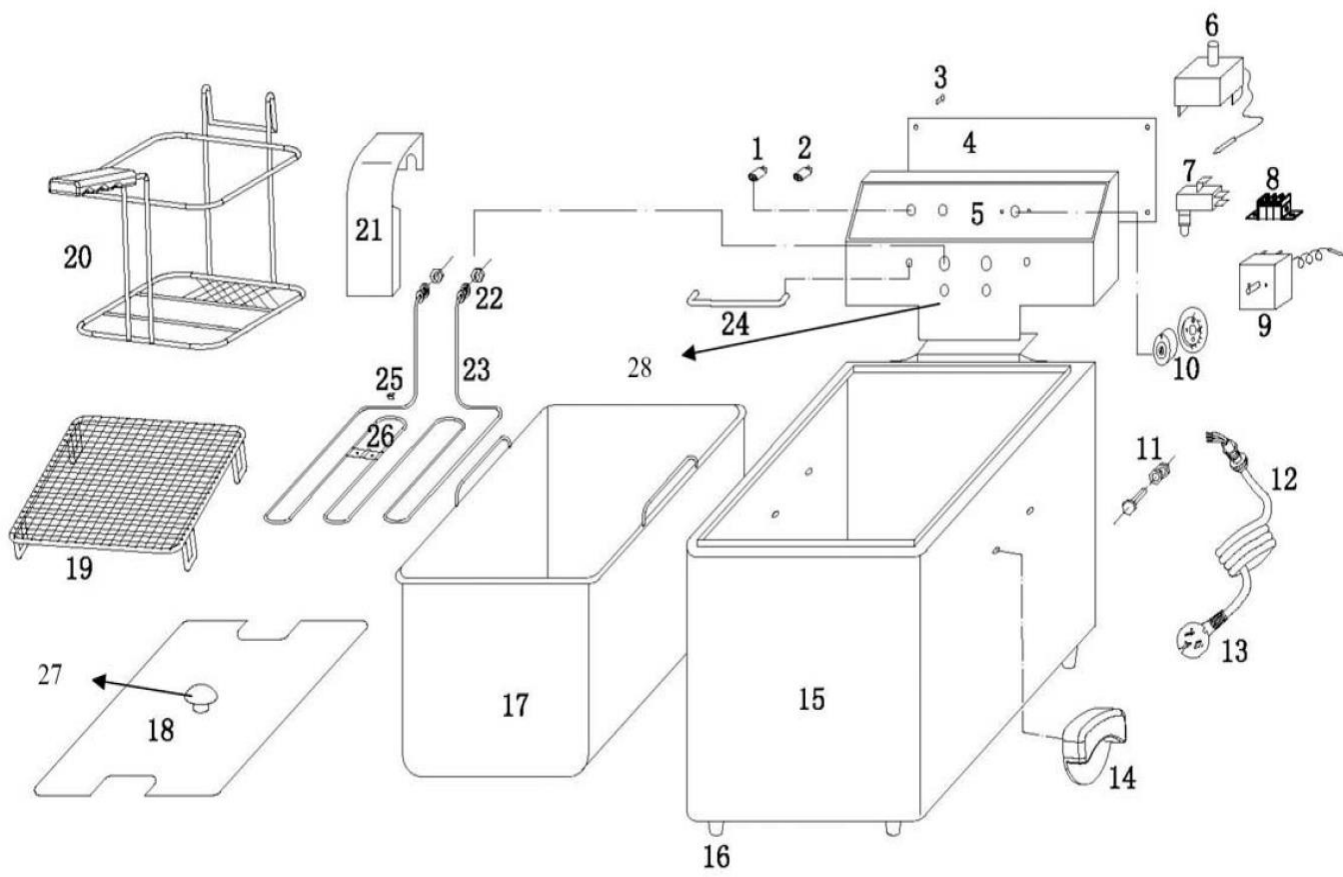


BF6 Fryer

Exploded parts diagram







Part Number	Number	Description	Qty
***	1	Power Indicator	1
***	2	Heating Indicator	1
***	3	Screw	1
***	4	Back Panel	1
***	5	Electric Terminal Box	1
B3-ZGF6006	6	Temperature Limiter	1
B3-ZGF6008	7	Micro Switch	1
***	8	Ceramic Connection	1
B3-ZGF6009	9	Thermostat	1
B3-ZGF6010	10	Thermostat Knob	1
***	11	Ground Screw	1
***	12	Power Cable Sheath	1
***	13	Power Cord	1
***	14	Handle	1
***	15	Outer Shell	1
B3-ZGH811047	16	Feet	4
***	17	Oil Pot	1
***	18	Lid	1
***	19	Mesh	1
B3-ZGF6022	20	Frying Basket	1
***	21	Element Cover	1
***	22	Fixing Screw	1
B3-ZGF6018	23	Heating Element	1
***	24	Frying Basket Hanger	1
***	25	Capillary Clip	1
B3-ZGF6026	26	Temp. Sensor Clip	1
***	27	Lid Handle	1
***	28	Temp Sensor Wire Jacket	1

*** Please contact Spares for assistance ***