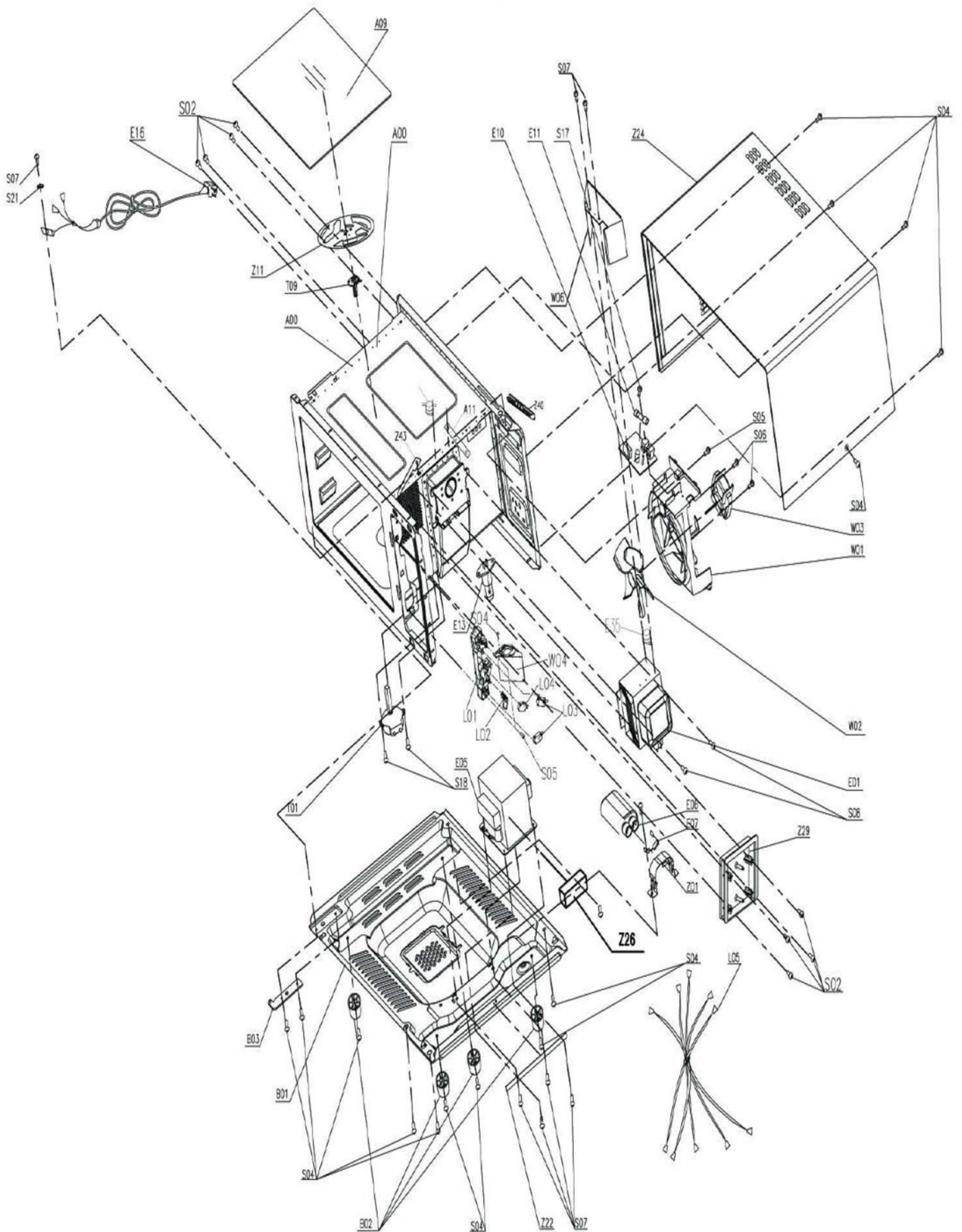
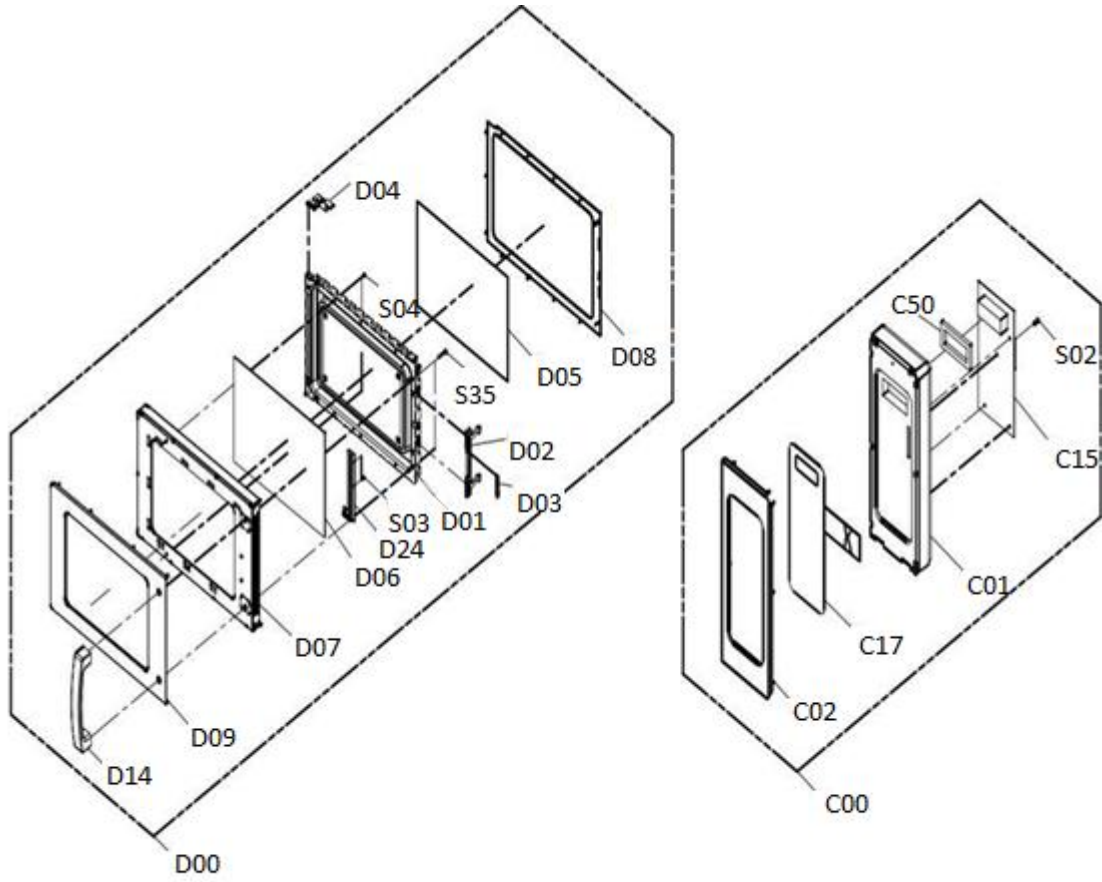


BCM1000

Exploded parts diagram









Part Number	Number	Description	Qty
B3-MW10D000	D00	Door Assy	1
***	D01	Door Frame Assy Back	1
B3-MW10D002	D02	Latch	1
B3-MW10D003	D03	Latch Spring	1
B3-MW10D004	D04	Upper Hinge	1
***	D06	Door Frame Assy 2 Front	1
***	D07		
***	D09		
***	S03		
B3-MW10D014	D14	Handle	1
B3-MW10D008	D08	Door Gasket	1
***	S35	Screw	2
***	D24	Screw	1
B3-MW10C000	C00	Control Panel Assy	1
B3-MW10C017	C17	Membrane Switch	1
B3-MW10C018	C18	PCB Assy	1
***	S02	Screw	5
***	A01	Cover Wave Guide	1
B3-MW10A009	A09	Base Plate Ceramic	1
***	B01	Base Plate	1
B3-MW10B002	B02	Foot	1
B3-AF10123	B03	Assy Bracket Hinge	1
B3-MW10E001	E01	Magnetron	1
B3-MW10E005	E05	H.V Transformer	1
B3-MW10E006	E06	H.V Capacitor	1
B3-MW10E007	E07	H.V Diode	1
B3-MW10E010	E10	Noise Filter	1
***	E11	Fuse	1
B3-MW10E013	E13	Lamp	1
B3-MW10E040	E40	Thermostat (110/170 Deg)	1
***	E16	Power Cord	1
B3-MW10E035	E35	Thermostat (160/95 Deg)	1
B3-MW10L001	L01	Board Latch	1
B3-MW10L002	L02	Lever Switch	1
B3-MW10L003	L03	Micro Switch Interlock	2
***	L04	Micro Switch Monitor	1
***	L05	Harness Main	1
***	S01	Screw	1
***	S02	Screw	8
***	S04	Screw	15
***	S05	Screw	3
***	S06	Screw	2
***	S07	Screw	8
***	S08	Screw	2

***	S18	Screw	2
***	S21	Spring Washer	1
B3-MW10T001	T01	Motor Tray	1
B3-MW10T009	T09	Shaft Stirrer	1
B3-MW10W001	W01	Fan Assy	1
	W02		
	W03		
***	Z01	Holder H.V.C	1
B3-MW10Z011	Z11	Fan Stirrer	1
***	W06	Damper	1
***	Z22	Sponge	1
***	Z24	Case Out	1
***	Z26	Rubber Noise Reducer	1
***	Z43	Front Plate Bracket	1
***	A11	Wave Guide Bracket	1
***	Z40	Water Sealing Bracket	1

Please contact Spares for assistance